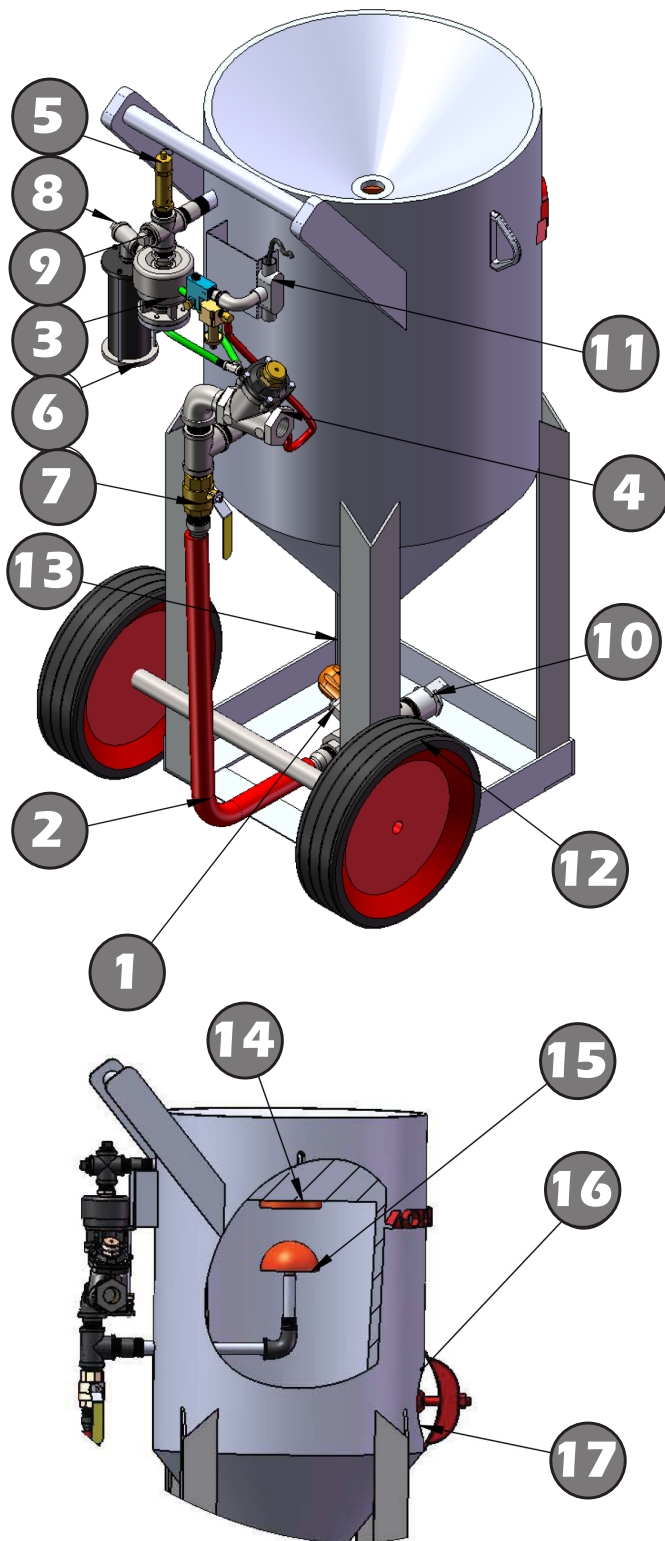


MBM - 3.5PRE-AV

MBM - 6.5PRE-AV

MBM - 10PRE-AV

(Electric controls with M-Valve)



ITEM #	STOCK #	DESCRIPTION
1	EE2125-107	1-1/4" M VALVE W/ URETHANE SLEEVE
2	125-AIR	1-1/4" AIR HOSE
3	290375	MUB Dump Valve
4	281250	AQUA VALVE 1-1/4"
5	51810-150	KINGSTON 118C x 1 x 150PI
6	290340	MUB SILENCER
7	65-825	1-1/4" BRASS BALL VALVE
8	PL07	3/4" PLUG
9	PL10	1" PLUG
10	60525 (ALUM)	1-1/2" NPT TANK COUPLER
	60526 (BRASS)	"
	60526 (STEEL)	"
	60523 (ALUM)	1-1/2" NPT TANK COUPLER
	60524 (BRASS)	"
	60624 (STEEL)	"
	60526L (BRASS)	1-1/2" POLYLINE TANK COUPLER
	60626L (STEEL)	"
11	24000-C	ELECTRIC CONTROLS ASSY
12	290010-65	WHEEL FOR 6.5 & 10 BLAST MACHINE
	290010-35	WHEEL FOR 3.5 BLAST MACHINE
13	290187	AV 1-1/4" X 6" NIPPLE
14	EE2100-011	POP-UP GASKET / URETHANE
15	EE2100-010	POP-UP PLUNGER / URETHANE
16	22614	INSPECTION DOOR 6" X 8"
17	22617	INSPECTION DOOR GASKET 6" X 8"

MOD-U-BLAST®

**Parts Ordering
1-800-661-3842**