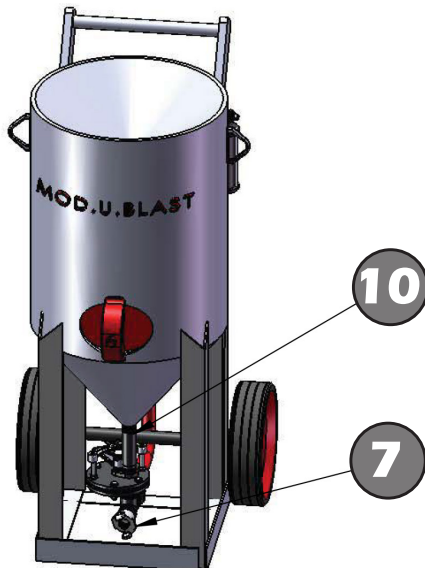
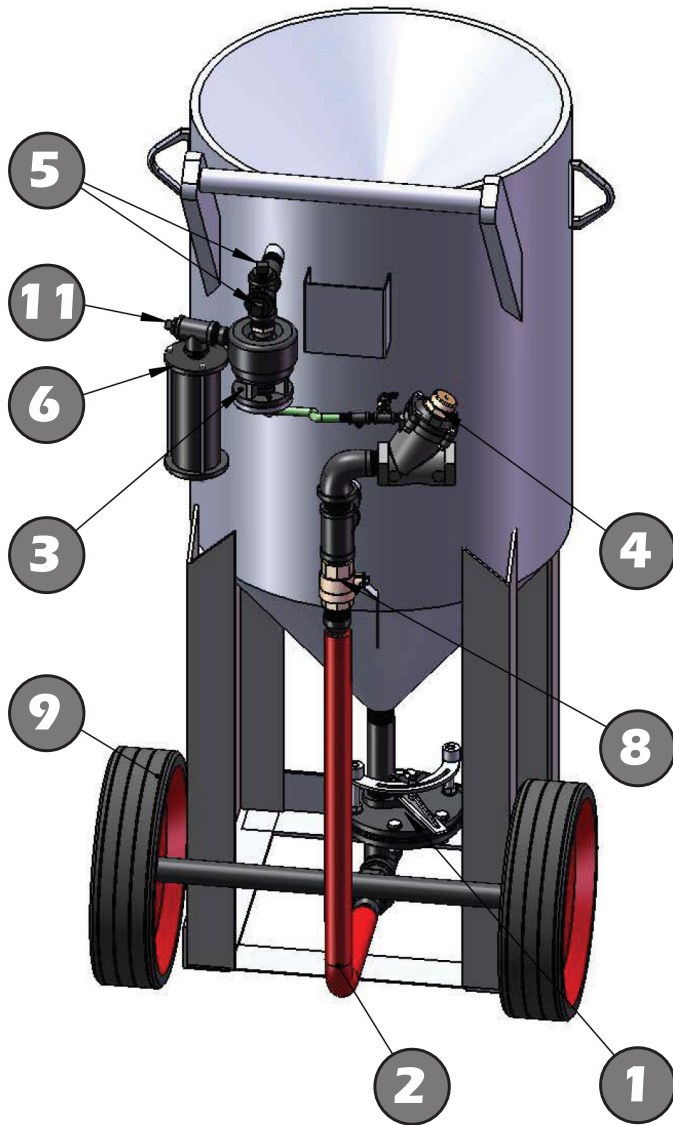


**MBMV- 3.5PR-AV**  
**MMB - 6.5PR-AV**  
**MBM- 10PR-AV**  
*(with FSV Valve)*



ITEM #	STOCK #	DESCRIPTION
1	290100V	FSV METERING VALVE
2	125-AIR	1-1/4" AIR HOSE
3	290375	DUMP VALVE
4	281250	AQUA VALVE 1-1/4"
5	PL10	1' PLUG
6	290340	SILENCER
7	60525 (ALUM)	1-1/2" NPT TANK COUPLER
	60526 (BRASS)	"
	60526 (STEEL)	"
	60523 (ALUM)	1-1/2" NPT TANK COUPLER
	60524 (BRASS)	"
	60624 (STEEL)	"
	60526L (BRASS)	1-1/2" POLYLINED TANK COUPLER
	60626L (STEEL)	"
8	65-825	1-1/4" BRASS BALL VALVE
9	290010-65	WHEEL FOR 6.5 BLAST MACHINE
	290010-35	WHEEL FOR 3.5 BLAST MACHINE
10	290187	AV 1-1/4" X 6" NIPPLE
11	PL07	3/4" PLUG

**MOD-U-BLAST**  
 Parts Ordering  
 1-800-661-3842